



CMC-30 SERIES

Ceiling Mounted PIR/Camera Intrusion Detector



Description: Combining true vision into Intrusion Detection. The ALEPH CMC series combines a Quad-PIR Detector together with a full functioning Video Camera unit.

Operating independently, each technology operates as a stand alone device. The signal output of each (Video / AC, PIR / DC) is combined on a single pair of wires. The combined signal is split via a CMC-SEP-1 mounted at the alarm control / video input device. In addition to being the perfect tool for new installations requiring both intrusion detection and video coverage, the Aleph CMC Series offers the ideal path for upgrading existing security applications now requiring video coverage.

Installation: For best results install the CMC-30 Series at a mounting height of 8.2 ft (2.5M). For a Detection area coverage of 16 ft (5M) mount the detector without the Tilt spacer accessory. Installing with the Tilt spacer will increase the coverage area to 33 ft (10M).

Prior to mounting set up the selectable switches as appropriate. For installations in small or narrow coverage areas a pulse count (PC) of 2 is recommended to insure detection. In wide open areas select a PC to match catch requirements. Select PIR sensitivity to insure catch at edges of pattern perimeter.

Mount the CMC - Separator PCB near the alarm control panel and/or video control equipment. Run a 20 to 24 AWG 4 conductor from CMC-30 to CMC-SEP-1. Standard non-shelided wire can be used, do not run wiring parallel to AC wiring.

See illustrations for further information on installation, detection coverage and setup details.

For extended Alarm Memory indication, jumper CMC-30 Terminal 5 to Terminal 2. The Red / Yellow LEDs will function as follows: When AM is enabled. Detection is indicated by a momentary Red LED. After three minutes, the Yellow LED turns on for 45 Minutes. A new alarm event during Yellow On-period, will reset the Yellow LED Timer (back to 45 minutes). Red LED function continues normally during Yellow LED On-period.

Caution: Avoid the following hazards when installing the CMC-30 SERIES:

The protected area must be clear of obstructions; do not mount sensor where sensor view is blocked by curtains or glass.

The protected area needs to be clear of water / oil vapors.

Avoid mounting the CMC-30 Series so the viewing area is looking at exterior windows, direct sun reflections, and / or heating / cooling sources within the protected area.

The CMC-30 Series is intended for indoor use only, do not install outdoors or in opened/weather exposed environments.

Testing / Maintenance :

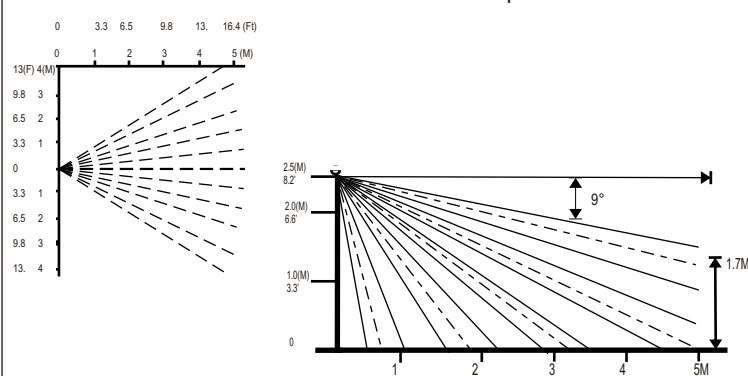
Inspection: An inspection of the unit's mounting, wiring and general condition should be made periodically.

Cleaning: Clean the plastic parts of this unit with a soft, clean, damp cloth. Do not use chemicals.

Testing: To ensure proper operation, this unit needs to be tested at least once per year.

Detection Area Diagrams

Installation Without Tilt Spacer



Installation With Tilt Spacer

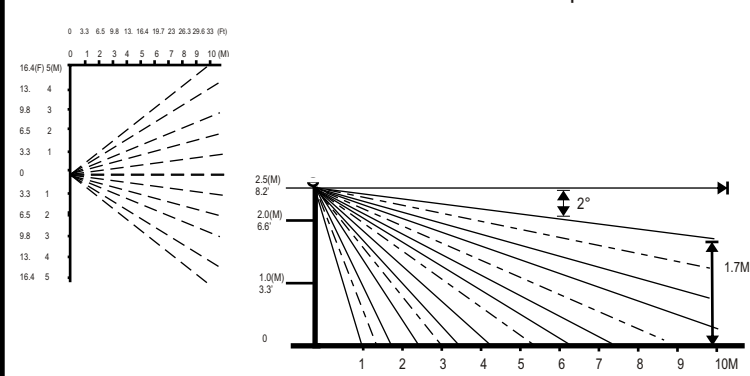


Figure 1 Sensor Base

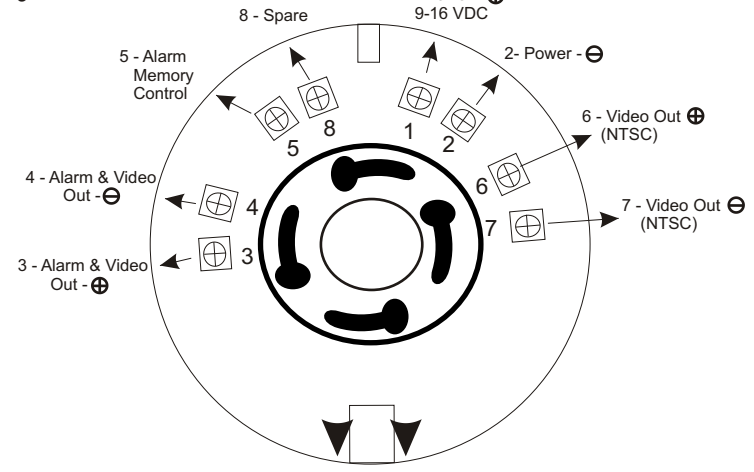
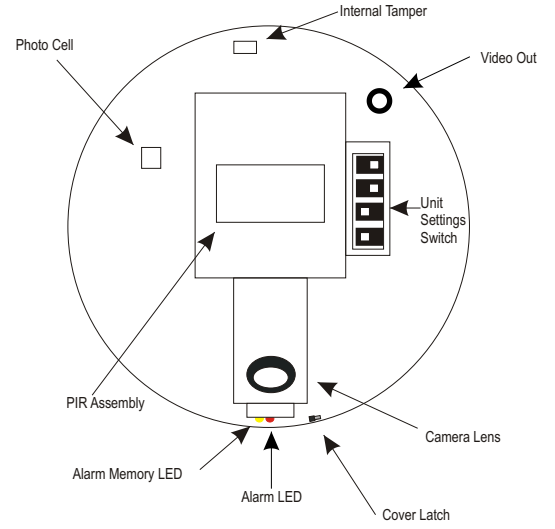
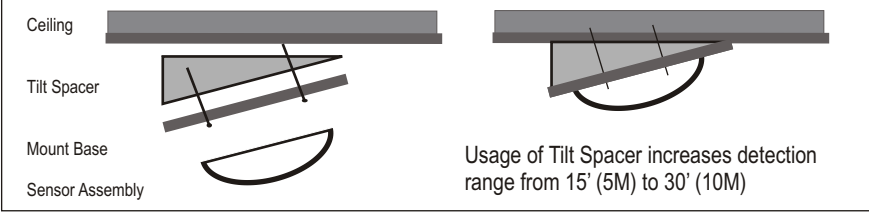


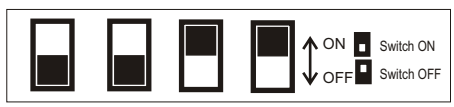
Figure 2 Sensor Assembly Interior



Using the Tilt Spacer



Unit Settings Switch (Refer to Fig. 2)

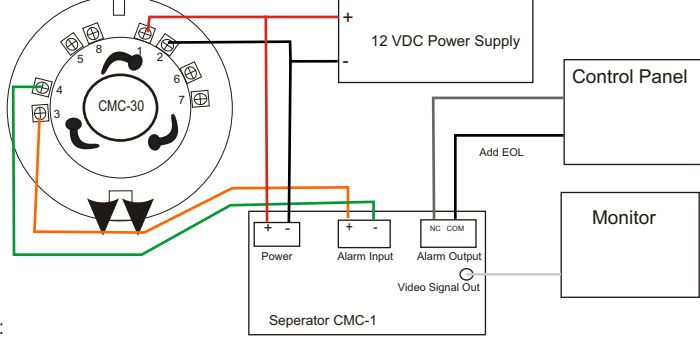


SW-1: Pulse Count
 OFF = 2 Pulse Response
 ON = 4 Pulse Response

SW-2 & 3: PIR Sensitivity
 2/3 OFF - 70% Sensitivity
 2 ON/3 OFF - 80% Sensitivity
 2 OFF/3 ON - 100% Sensitivity
 2/3 ON - 120% Sensitivity

SW-4: Alarm LED Enable
 OFF = Alarm LED Disabled
 ON = Alarm LED Enabled

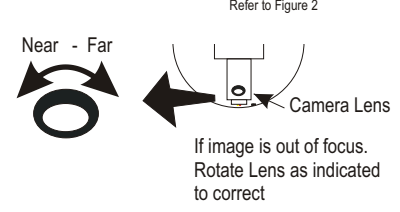
Wiring Diagram - CMC-30 Camera / PIR - CMC-1-Separator - Control Equipment



Wire Gauge	Max. Wire Run Distance
AWG 24	190' / 60M
AWG 22	270' / 90M
AWG 20	300' / 100M

Notes:
 * If separate power supplies are used with CMC-30 & CMC-1-Separator, for best results link supplies common terminals.
 * Standard Quad Non-Shielded cable can be used, do not run parallel to AC wiring.
 * Alarm Memory - To enable, jumper CMC-30 Terminal 5 to Terminal 2. When Enabled, operation is as follows:
 Alarm indicated at Red LED, after 3 minutes, Yellow LED lights for 45 minutes. Any additional alarm during yellow period will reset 45 min period.

Focus Adjustment



Specifications:

CAMERA:
 IMAGE SENSOR: 1/4" CMOS
 PIXELS: 250K
 VIDEO SIGNAL: NTSC (Color)
 VIDEO OUTPUT: AC signal embedded on DC alarm output signal

SENSITIVITY: 2 lux
VIEW ANGLE: 65°H x 51°V
LENS: F=2.0, f=3.0MM
SHUTTER: 1/60 ~ 1/10,000 sec

PIR:
 DETECTION METHOD: Quad-element PIR
 PULSE COUNT: 2/4 pulses (selectable)
 COVERAGE:
 W/O Tilt Spacer 16' (5M) L x 26' (6M) W
 with Tilt Spacer 33' (10M) L x 40' (12M) W

ALARM DURATION: 2 Seconds
ALARM DISPLAY: Red LED
ALARM MEM DISPLAY: Yellow LED
TAMPER OUTPUT: Internal, Alarm output on Tamper violation
DETECTION ZONES: 28 Zones

Dimensions:
CMC-30 Sensor /Base
 Base Diameter- 6.625" / 168.3mm
 Height / Depth- 2.25" / 57.2mm
CMC-SEP-1 (mounted on Snap-Trac):
 1.875 x 2.875 x 1.75" / 47.3 x 73. X 44.45mm

Power Requirements: CMC-30 / CMC-SEP - 1:
 9.0VDC to 15.0VDC, 12VDC nominal.
 Current: 50mA Max.

Wiring:
 Non shielded 4 conductor from CMC-30 SERIES to CMC - SEP -1.
 Non shielded 4 conductor from CMC - SEP -1 to control panel.
 NTSC COAX from CMC -SEP - 1 to Video Equipment.

Accessories

Required Accessories:
 CMC-Sep-1- Output Signal Separator

Optional Accessories:
 CMC-BRT - Tilt Bracket for CMC-30

Patent Information:
 U.S. & International patents pending.

CMC30: AAC-R1-7:101105

Contact Aleph

Nippon Aleph Corporation
 1-28-52 Komaoka, Tsurumi, Yokohama, Japan
 Tel: 045 575 1111 Fax: 045 580 1676
 WEB: <http://www.nippon-aleph.co.jp>
 E-mail: security@po.nippon-aleph.co.jp

Aleph America Corporation
 4700 Aircenter Cir, Reno, NV, 89502, USA
 Tel: 775 827 8000 Fax: 775 827 8044
 WEB: <http://www.aleph-usa.com>
 E-mail: info@aleph-usa.com

Aleph Europe Ltd.
 1 Newton Close, Park Farm Industrial Estate, Wellingborough, Northamptonshire, NN8 6UW England
 Tel: 01933 679600 Fax: 01933 401165
 WEB: <http://www.alepheurope.com>
 E-mail: info@alepheurope.com

Aleph Central Europe Ltd.
 2146 Mogyorod, Kerekto u 2, Hungary
 Tel: + 36 28 542250 Fax: +36 28 542251
 WEB: <http://www.alephsecurity.com>
 Email: sales@alephsecurity.com